



ALL02860ND

Wireless N 300Mbit Dual Band Access Point PoE



Kurzanleitung

Verpackungsinhalt

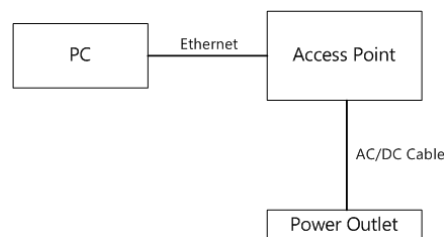
Bitte überprüfen Sie den Inhalt der Verpackung, bevor Sie mit der Inbetriebnahme des ALL02860ND fortfahren.

- ALL02860ND Access Point
- 12V/2A 100V~240V Netzteil
- RJ-45 Ethernet Kabel
- Montagewinkel
- Wand/Decken Montage Kit
- T- Schienen Montage Kit T-Rail Mounting Hardware Kit
- CD mit Handbuch

**Please use only the power supply unit that is delivered with the device.
Bitte verwenden Sie nur das mitgelieferte Netzteil.**

Den ALL02860ND verbinden

- 1) Stellen Sie sicher dass Ihr Computer eine Ethernetkarte (RJ-45 Ethernet Port) besitzt. Für mehr Informationen vergleichen Sie dazu Ihr Benutzerhandbuch.
- 2) Verbinden Sie das eine Ende des Ethernet-Kabels der Kategorie 5e in den RJ-45-Port des ALL02860ND und das andere Ende an den RJ-45-Anschluss am Computer, der den ALL02850N verwendet. Stellen Sie sicher, dass das Kabel richtig an dem ALL02860ND und dem Computer angeschlossen ist.
- 3) Schließen Sie den DC Stecker des Netzteils an die **DC-IN** Buchse am ALL02860ND und das Netzteil an den Stromanschluß. **Bitte verwenden Sie nur das mitgelieferte Netzteil!**



Hinweis: ALL02860ND unterstützt sowohl IEEE 802.3at PoE (Power over Ethernet) als auch das reguläre Netzteil. Verwenden Sie eine von beiden Stromversorgungen. Bitte schließen Sie Beide nicht gleichzeitig an.

IP Address Konfiguration

- 1) Stellen Sie sicher das der ALL02850 und ihr Computer eingeschaltet und miteinander verbunden sind
- 2) Für die nächsten Schritte sollten Sie gegeben falls auch in Ihrem Betriebssystemhandbuch nachschlagen.
- 3) Wenn Ihr Computer eingeschaltet ist, stellen Sie sicher das Ihr TCP/IP Protokoll eingerichtet und an ist. (In der Systemsteuerung, doppelklicken Sie auf Netzwerkverbindungen, und dann auf die Verbindung Ihrer Netzwerkkarte(NIC). Wählen Sie **Internet Protocol (TCP/IP)** aus und klicken Sie auf den **Eigenschaft** Button.

- 4) Wenn Ihr PC bereits in einem Netzwerk ist, stellen Sie sicher dass der Computer (oder die Ethernet Karte die mit dem ALL028850N verbunden ist) auf eine Statische IP Adresse von **192.168.1.21** und die Subnet Adress Maske auf **255.255.255.0** gesetzt ist. (Wählen Sie **Folgende IP Adresse verwenden** Option aus). Wenn dann Ihr dann Computer fertig vorbereitet ist, können Sie mit Konfiguration des ALL02850N beginnen.

ALL02860ND Setup

- 1) Zum Konfigurieren des ALL02850N öffnen Sie einen Web browser (**z.B.:** Microsoft Internet Explorer, Mozilla Firefox, Google Chrome, etc.).
- 2) In der Address Leiste des web browser tippen Sie **192.168.1.1** (die Standard IP address de ALL02850N) und drücken Sie Enter.

http://192.168.1.1

- 3) Ein Login-Bildschirm erscheint. Standardmäßig ist der Benutzername des ALL02860ND **admin** und das Passwort **admin**. Geben Sie den aktuellen Benutzernamen und das Kennwort des ALL02860ND und klicken Sie dann auf **Login**. Wie Sie den Benutzernamen und das Kennwort ändern können finden Sie im ALL02860ND Handbuch.
- 4) Nach dem **Login** mit korrekten Benutzernamen und Kennwort erscheint das Haupt Menü des ALL02860ND. Dann können Sie weiter mit dem Wireless Verbindungen des ALL02860ND fortfahren

**Zwischen den verschiedenen Betriebsmodi schalten**

Der ALL02860ND kann in folgenden Modi betrieben werden: Access Point, Client Bridge, WDS, Repeater, AP Router.

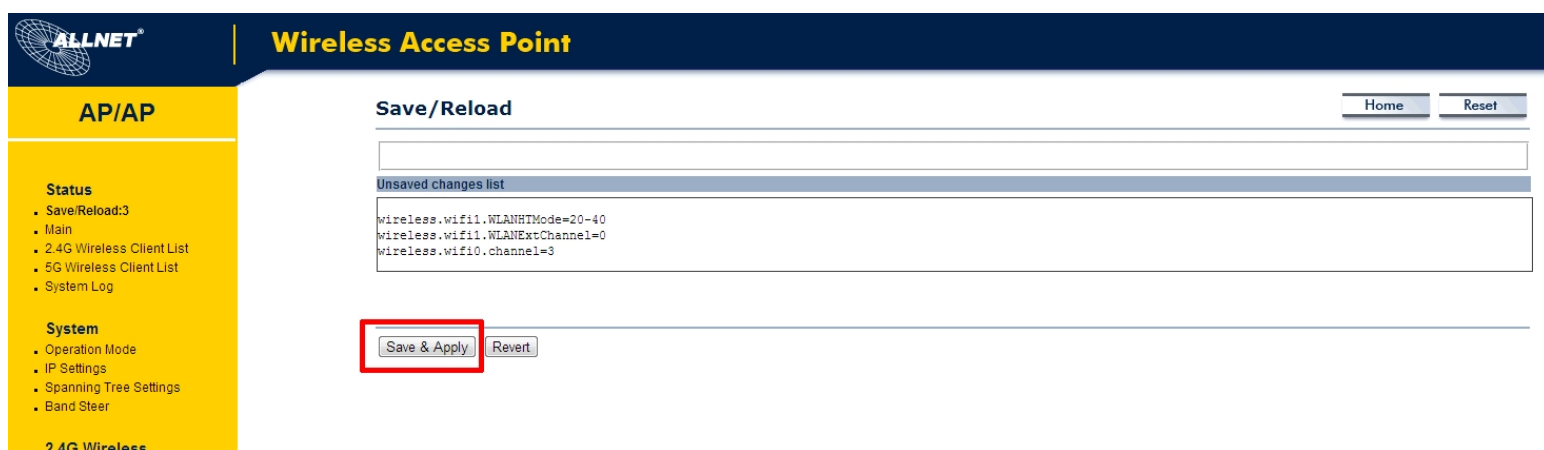
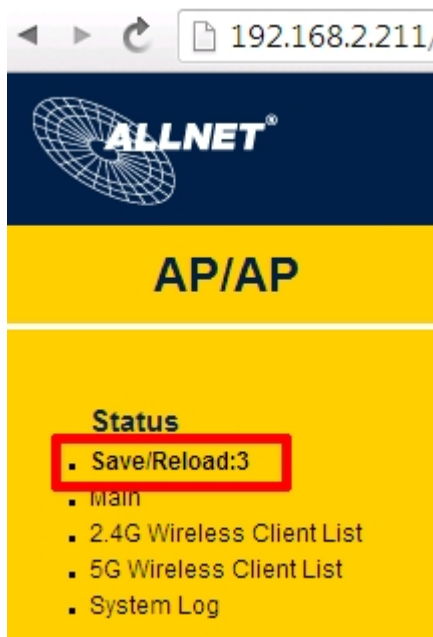
- 1) Klicken Sie auf den **Operation Mode** link unter der **System** Navigation Dropdown Menue.
- 2) **Operating Mode:** Wählen Sie einen Betriebsmodus aus der Liste aus (Access Point, Client Bridge, or Repeater) and und klicken Sie auf den **Apply** Button.
- 3) Alle Basic Einstellungen sind damit abgeschlossen. *Hinweis: Diese Wireless Verbindung ist nicht sicher. Um Sicherheitseinstellungen vorzunehmen schlagen Sie bitte im ALL02860ND Handbuch nach.*

Bitte beachten Sie dass lediglich die Auswahl des OperationMode sofort übernommen wird.

Alle anderen Konfigurationen werden temporär unter SAVE/RELOAD abgelegt.

Diese werden erst endgültig übernommen wenn Sie unter SAVE/RELOAD die Taste SAVE&APPLY betätigen.

Ansonsten gehen alle Konfigurationen bei einem Neustart verloren!



Befestigung des ALL02860ND

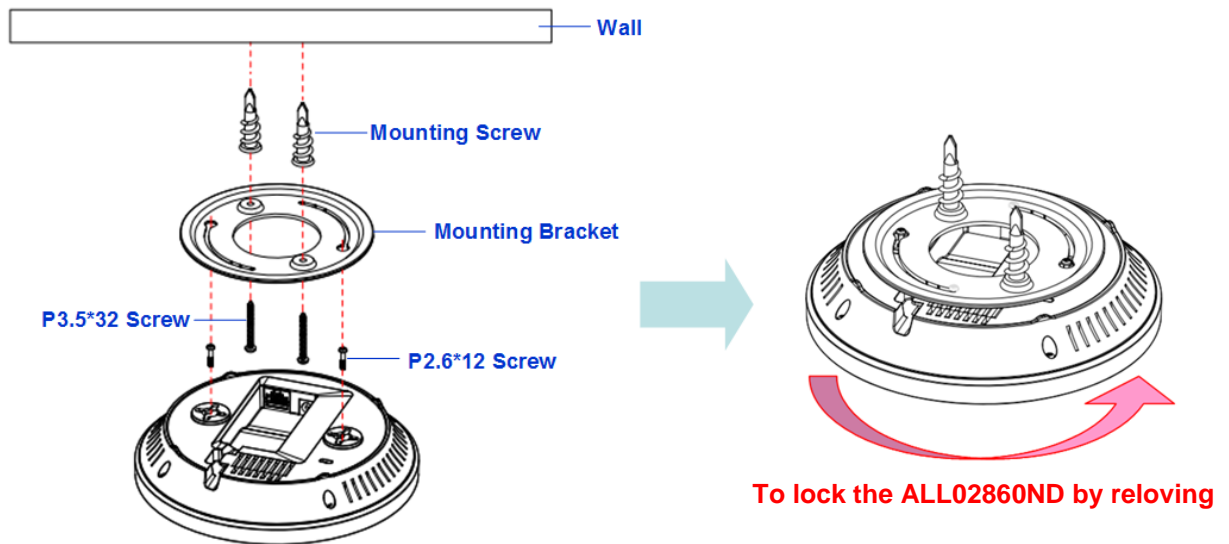
Der ALL02860ND kann durch das mitgelieferte Montageset an Wand oder Decke befestigt werden.

Um den ALL02860ND an einer Decke oder an der Wand mit der Halterung zu befestigen:

- 1) Befestigen Sie den Montage Ring mit den beiliegenden Montageschrauben an die Wand oder Decke.
- 2) Befestigen Sie die mitgelieferten kurzen Schrauben an den unteren Deckel des ALL02860ND.

Lassen Sie die Schrauben genug rausstehen damit das Gerät noch an den Montage Ring befestigt werden kann.

Wenn mehr Platz benötigt wird, verwenden Sie die mitgelieferten Abstandshalter und langen Schrauben aus dem T-Schiene Montagekit, um den Abstand zwischen dem Gerät und der Halterung zu erhöhen.



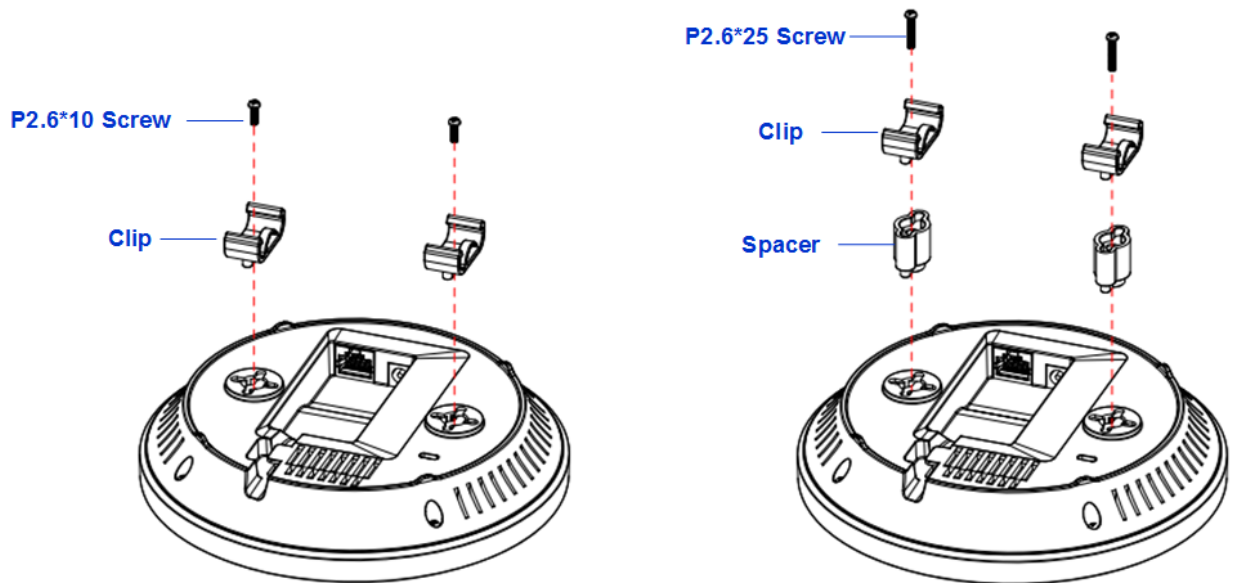
Montieren Sie den ALL02860N an die Halterung durch Drehen um 90° im Uhrzeigersinn um ihn sicher zu fixieren.

Um die ALL02860ND an einer Decke mit dem mitgelieferten T-Schiene-Anschlüssen zu verbinden:

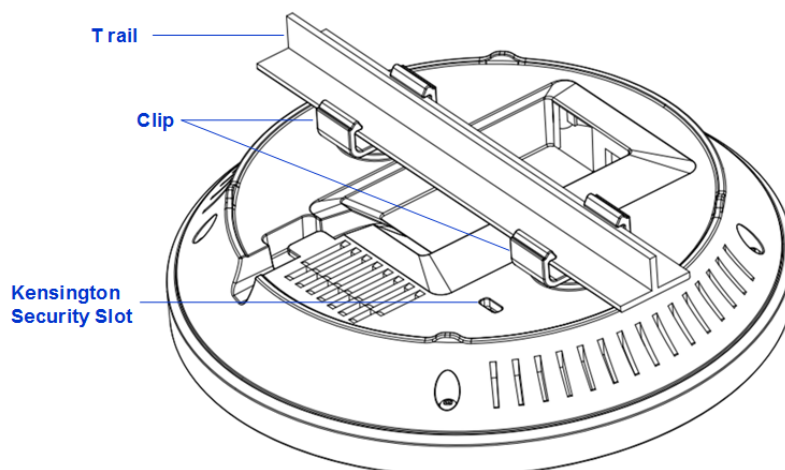
- 1) Bringen Sie die T-Schiene-Anschlüsse unten an die Abdeckung des ALL02860ND mit den mitgelieferten kurzen Schrauben an.

Zwei Größen von T-Schiene-Anschlüsse sind in der Montage-Hardware-Kit enthalten: hardware kit: 15/16in (2.38cm) and 9/16in (1.43cm).

Wenn mehr Abstand zu der Schiene benötigt wird können Sie die mitgelieferten Abstandshalter und langen Schrauben verwenden.



- 2) Setzen Sie die T-Schienen Verbinder an die passende T-Schiene und drücken Sie gegen den ALL028860ND bis die Verbinder in die Schiene einrasten.





ALLNET GPL Code Statement

This ALLNET product includes software code developed by third parties, including software code subject to the GNU General Public License ("GPL") or GNU Lesser General Public License ("LGPL"). As applicable, the terms of the GPL and LGPL, and information on obtaining access to the GPL code and LGPL code used in this product, are available to you at:

<http://www.allnet.de/gpl.html>

The GPL code and LGPL code used in this product is distributed WITHOUT ANY WARRANTY and is subject to the copyrights of one or more authors. For details, see the GPL code and the LGPL code for this product and the terms of the GPL and LGPL.

Written offer for GPL and LGPL source code

Where such specific license terms entitle you to the source code of such software, ALLNET will provide upon written request via e-mail and/or traditional paper mail the applicable GPL and LGPL source code files via CD-ROM for a nominal cost to cover shipping and media charges as allowed under the GPL and LGPL.

Please direct all inquiries to:

Email:
support@allnet.de

Snail Mail:
ALLNET GmbH
Maistraße 2
82110 Germering

GNU GENERAL PUBLIC LICENSE

Version 2, June 1991

Copyright (C) 1989, 1991 Free Software Foundation, Inc.

51 Franklin Street, Fifth Floor, Boston, MA 02110-1301, USA

Everyone is permitted to copy and distribute verbatim copies of this license document, but changing it is not allowed.



Preamble

The licenses for most software are designed to take away your freedom to share and change it. By contrast, the GNU General Public License is intended to guarantee your freedom to share and change free software--to make sure the software is free for all its users. This General Public License applies to most of the Free Software Foundation's software and to any other program whose authors commit to using it. (Some other Free Software Foundation software is covered by the GNU Lesser General Public License instead.) You can apply it to your programs, too.

When we speak of free software, we are referring to freedom, not price. Our General Public Licenses are designed to make sure that you have the freedom to distribute copies of free software (and charge for this service if you wish), that you receive source code or can get it if you want it, that you can change the software or use pieces of it in new free programs; and that you know you can do these things.

To protect your rights, we need to make restrictions that forbid anyone to deny you these rights or to ask you to surrender the rights. These restrictions translate to certain responsibilities for you if you distribute copies of the software, or if you modify it.

For example, if you distribute copies of such a program, whether gratis or for a fee, you must give the recipients all the rights that you have. You must make sure that they, too, receive or can get the source code. And you must show them these terms so they know their rights.

We protect your rights with two steps: (1) copyright the software, and (2) offer you this license which gives you legal permission to copy, distribute and/or modify the software.

Also, for each author's protection and ours, we want to make certain that everyone understands that there is no warranty for this free software. If the software is modified by someone else and passed on, we want its recipients to know that what they have is not the original, so that any problems introduced by others will not reflect on the original authors' reputations.

Finally, any free program is threatened constantly by software patents. We wish to avoid the danger that redistributors of a free program will individually obtain patent licenses, in effect making the program proprietary. To prevent this, we have made it clear that any patent must be licensed for everyone's free use or not licensed at all.

The precise terms and conditions for copying, distribution and modification follow.

GNU General Public License

Terms and conditions for copying, distribution and modification

0. This License applies to any program or other work which contains a notice placed by the copyright holder saying it may be distributed under the terms of this General Public License. The "Program", below, refers to any such program or work, and a "work based on the Program" means either the Program or any derivative work under copyright law: that is to say, a work containing the Program or a portion of it, either verbatim or with modifications and/or translated into another language. (Hereinafter, translation is included without limitation in the term "modification".) Each licensee is addressed as "you".



Activities other than copying, distribution and modification are not covered by this License; they are outside its scope. The act of running the Program is not restricted, and the output from the Program is covered only if its contents constitute a work based on the Program (independent of having been made by running the Program). Whether that is true depends on what the Program does.

1. You may copy and distribute verbatim copies of the Program's source code as you receive it, in any medium, provided that you conspicuously and appropriately publish on each copy an appropriate copyright notice and disclaimer of warranty; keep intact all the notices that refer to this License and to the absence of any warranty; and give any other recipients of the Program a copy of this License along with the Program.

You may charge a fee for the physical act of transferring a copy, and you may at your option offer warranty protection in exchange for a fee.

2. You may modify your copy or copies of the Program or any portion of it, thus forming a work based on the Program, and copy and distribute such modifications or work under the terms of Section 1 above, provided that you also meet all of these conditions:

a) You must cause the modified files to carry prominent notices stating that you changed the files and the date of any change.

b) You must cause any work that you distribute or publish, that in whole or in part contains or is derived from the Program or any part thereof, to be licensed as a whole at no charge to all third parties under the terms of this License.

c) If the modified program normally reads commands interactively when run, you must cause it, when started running for such interactive use in the most ordinary way, to print or display an announcement including an appropriate copyright notice and a notice that there is no warranty (or else, saying that you provide a warranty) and that users may redistribute the program under these conditions, and telling the user how to view a copy of this License. (Exception: if the Program itself is interactive but does not normally print such an announcement, your work based on the Program is not required to print an announcement.)

These requirements apply to the modified work as a whole. If identifiable sections of that work are not derived from the Program, and can be reasonably considered independent and separate works in themselves, then this License, and its terms, do not apply to those sections when you distribute them as separate works. But when you distribute the same sections as part of a whole which is a work based on the Program, the distribution of the whole must be on the terms of this License, whose permissions for other licensees extend to the entire whole, and thus to each and every part regardless of who wrote it.

Thus, it is not the intent of this section to claim rights or contest your rights to work written entirely by you; rather, the intent is to exercise the right to control the distribution of derivative or collective works based on the Program.

In addition, mere aggregation of another work not based on the Program with the Program (or with a work based on the Program) on a volume of a storage or distribution medium does not bring the other work under the scope of this License.

3. You may copy and distribute the Program (or a work based on it, under Section 2) in object code or executable form under the terms of Sections 1 and 2 above provided that you also do one of the following:

a) Accompany it with the complete corresponding machine-readable source code, which must be distributed under the terms of Sections 1 and 2 above on a medium customarily used for software interchange; or,

b) Accompany it with a written offer, valid for at least three years, to give any third party, for a charge no more than your cost of physically performing source distribution, a complete machine-readable copy of the corresponding source code, to be distributed under the terms of Sections 1 and 2 above on a medium customarily used for software interchange; or,

c) Accompany it with the information you received as to the offer to distribute corresponding source code. (This alternative is allowed only for noncommercial distribution and only if you received the program in object code or executable form with such an offer, in accord with Subsection b above.)

The source code for a work means the preferred form of the work for making modifications to it. For an executable work, complete source code means all the source code for all modules it contains, plus any associated interface definition files, plus the scripts used to control compilation and installation of the executable. However, as a special exception, the source code distributed need not include anything that is normally distributed (in either source or binary form) with the major components (compiler, kernel, and so on) of the operating system on which the executable runs, unless that component itself accompanies the executable.

If distribution of executable or object code is made by offering access to copy from a designated place, then offering equivalent access to copy the source code from the same place counts as distribution of the source code, even though third parties are not compelled to copy the source along with the object code.

4. You may not copy, modify, sublicense, or distribute the Program except as expressly provided under this License. Any attempt otherwise to copy, modify, sublicense or distribute the Program is void, and will automatically terminate your rights under this License. However, parties who have received copies, or rights, from you under this License will not have their licenses terminated so long as such parties remain in full compliance.

5. You are not required to accept this License, since you have not signed it. However, nothing else grants you permission to modify or distribute the Program or its derivative works. These actions are prohibited by law if you do not accept this License. Therefore, by modifying or distributing the Program (or any work based on the Program), you indicate your acceptance of this License to do so, and all its terms and conditions for copying, distributing or modifying the Program or works based on it.

6. Each time you redistribute the Program (or any work based on the Program), the recipient automatically receives a license from the original licensor to copy, distribute or modify the Program subject to these terms and conditions. You may not impose any further restrictions on the recipients'



exercise of the rights granted herein. You are not responsible for enforcing compliance by third parties to this License.

7. If, as a consequence of a court judgment or allegation of patent infringement or for any other reason (not limited to patent issues), conditions are imposed on you (whether by court order, agreement or otherwise) that contradict the conditions of this License, they do not excuse you from the conditions of this License. If you cannot distribute so as to satisfy simultaneously your obligations under this License and any other pertinent obligations, then as a consequence you may not distribute the Program at all. For example, if a patent license would not permit royalty-free redistribution of the Program by all those who receive copies directly or indirectly through you, then the only way you could satisfy both it and this License would be to refrain entirely from distribution of the Program.

If any portion of this section is held invalid or unenforceable under any particular circumstance, the balance of the section is intended to apply and the section as a whole is intended to apply in other circumstances.

It is not the purpose of this section to induce you to infringe any patents or other property right claims or to contest validity of any such claims; this section has the sole purpose of protecting the integrity of the free software distribution system, which is implemented by public license practices. Many people have made generous contributions to the wide range of software distributed through that system in reliance on consistent application of that system; it is up to the author/donor to decide if he or she is willing to distribute software through any other system and a licensee cannot impose that choice.

This section is intended to make thoroughly clear what is believed to be a consequence of the rest of this License.

8. If the distribution and/or use of the Program is restricted in certain countries either by patents or by copyrighted interfaces, the original copyright holder who places the Program under this License may add an explicit geographical distribution limitation excluding those countries, so that distribution is permitted only in or among countries not thus excluded. In such case, this License incorporates the limitation as if written in the body of this License.

9. The Free Software Foundation may publish revised and/or new versions of the General Public License from time to time. Such new versions will be similar in spirit to the present version, but may differ in detail to address new problems or concerns.

Each version is given a distinguishing version number. If the Program specifies a version number of this License which applies to it and "any later version", you have the option of following the terms and conditions either of that version or of any later version published by the Free Software Foundation. If the Program does not specify a version number of this License, you may choose any version ever published by the Free Software Foundation.

10. If you wish to incorporate parts of the Program into other free programs whose distribution conditions are different, write to the author to ask for permission. For software which is copyrighted by the Free Software Foundation, write to the Free Software Foundation; we sometimes make



exceptions for this. Our decision will be guided by the two goals of preserving the free status of all derivatives of our free software and of promoting the sharing and reuse of software generally.

NO WARRANTY

11. BECAUSE THE PROGRAM IS LICENSED FREE OF CHARGE, THERE IS NO WARRANTY FOR THE PROGRAM, TO THE EXTENT PERMITTED BY APPLICABLE LAW. EXCEPT WHEN OTHERWISE STATED IN WRITING THE COPYRIGHT HOLDERS AND/OR OTHER PARTIES PROVIDE THE PROGRAM "AS IS" WITHOUT WARRANTY OF ANY KIND, EITHER EXPRESSED OR IMPLIED, INCLUDING, BUT NOT LIMITED TO, THE IMPLIED WARRANTIES OF MERCHANTABILITY AND FITNESS FOR A PARTICULAR PURPOSE. THE ENTIRE RISK AS TO THE QUALITY AND PERFORMANCE OF THE PROGRAM IS WITH YOU. SHOULD THE PROGRAM PROVE DEFECTIVE, YOU ASSUME THE COST OF ALL NECESSARY SERVICING, REPAIR OR CORRECTION.

12. IN NO EVENT UNLESS REQUIRED BY APPLICABLE LAW OR AGREED TO IN WRITING WILL ANY COPYRIGHT HOLDER, OR ANY OTHER PARTY WHO MAY MODIFY AND/OR REDISTRIBUTE THE PROGRAM AS PERMITTED ABOVE, BE LIABLE TO YOU FOR DAMAGES, INCLUDING ANY GENERAL, SPECIAL, INCIDENTAL OR CONSEQUENTIAL DAMAGES ARISING OUT OF THE USE OR INABILITY TO USE THE PROGRAM (INCLUDING BUT NOT LIMITED TO LOSS OF DATA OR DATA BEING RENDERED INACCURATE OR LOSSES SUSTAINED BY YOU OR THIRD PARTIES OR A FAILURE OF THE PROGRAM TO OPERATE WITH ANY OTHER PROGRAMS), EVEN IF SUCH HOLDER OR OTHER PARTY HAS BEEN ADVISED OF THE POSSIBILITY OF SUCH DAMAGES.

END OF TERMS AND CONDITIONS

How to Apply These Terms to Your New Programs

If you develop a new program, and you want it to be of the greatest possible use to the public, the best way to achieve this is to make it free software which everyone can redistribute and change under these terms.

To do so, attach the following notices to the program. It is safest to attach them to the start of each source file to most effectively convey the exclusion of warranty; and each file should have at least the "copyright" line and a pointer to where the full notice is found.

one line to give the program's name and an idea of what it does.

Copyright (C) yyyy name of author

This program is free software; you can redistribute it and/or modify it under the terms of the GNU General Public License as published by the Free Software Foundation; either version 2 of the License, or (at your option) any later version.

This program is distributed in the hope that it will be useful, but WITHOUT ANY WARRANTY; without even the implied warranty of



MERCHANTABILITY or FITNESS FOR A PARTICULAR PURPOSE. See the GNU General Public License for more details.

You should have received a copy of the GNU General Public License along with this program; if not, write to the Free Software Foundation, Inc., 51 Franklin Street, Fifth Floor, Boston, MA 02110-1301, USA.

Also add information on how to contact you by electronic and paper mail.

If the program is interactive, make it output a short notice like this when it starts in an interactive mode:

Gnomovision version 69, Copyright (C) year name of author
Gnomovision comes with ABSOLUTELY NO WARRANTY; for details
type `show w'. This is free software, and you are welcome
to redistribute it under certain conditions; type `show c'
for details.

The hypothetical commands `show w' and `show c' should show the appropriate parts of the General Public License. Of course, the commands you use may be called something other than `show w' and `show c'; they could even be mouse-clicks or menu items--whatever suits your program.

You should also get your employer (if you work as a programmer) or your school, if any, to sign a "copyright disclaimer" for the program, if necessary. Here is a sample; alter the names:

Yoyodyne, Inc., hereby disclaims all copyright

interest in the program `Gnomovision'

(which makes passes at compilers) written

by James Hacker.

signature of Ty Coon, 1 April 1989

Ty Coon, President of Vice

Source: <http://www.gnu.org/licenses/old-licenses/gpl-2.0>



CE-Declaration of Conformity

For the following equipment:

Wireless N 300Mbit Dual Band Access Point PoE

ALL02860ND



The safety advice in the documentation accompanying the products shall be obeyed. The conformity to the above directive is indicated by the CE sign on the device.

The ALLNET ALL02860ND conforms to the Council EMC Directives of 2006/95/EC and 2004/108/EC.

This equipment meets the following conformance standards:

EN 60950-1:2006 +A11:2009 + A1:2010 + A12:2011

EN 60601-1-2:2007

CISPR 11:2010 ED. 5.1 (Group I, Class B)

EN 61000-3-2:2006 +A1:2009 +A2:2009, Class A

EN 61000-3-3:2008

EN 61000-4-2:2008 ED. 2.0

EN 61000-4-3:2010 ED. 3.2

EN 61000-4-4:2012 ED. 3.0

EN 61000-4-5:2005 ED. 2.0

EN 61000-4-6:2008 ED. 3.0

EN 61000-4-8:2009 ED. 2.0

EN 61000-4-11:2004 ED. 2.0

This equipment is intended to be operated in all countries.

This declaration is made by
ALLNET Computersysteme GmbH
Maistraße 2
82110 Germering
Germany

Germering, 01.08.2013



Wolfgang Marcus Bauer
CEO