

2.4 GHz 15 dBi 180 Degree Sector Panel Wireless LAN Antenna Model HG2415P-180

Applications and Features

- Applications:**
- 2.4 GHz ISM Band
 - IEEE 802.11b, 802.11g Wireless LAN
 - IEEE 802.11n (Pre-N, Draft-N, MIMO) Applications
 - Bluetooth®
 - Public Wireless Hotspot
 - WiFi
 - Wireless Video Systems
 - Wireless Internet Provider "cell" sites

- Features:**
- Superior performance
 - All weather operation
 - 180° beam-width
 - 26° Down-Tilt Mounting Bracket
 - Includes Mast Mounting Hardware
 - Integral N-Female Connector



Description

Superior Performance

The HyperGain® HG2415P-180 Sector Panel WiFi Antenna combines 15 dBi gain with a wide 180° beam-width. It is a professional quality "cell site" antenna designed primarily for service providers in the 2.4GHz ISM band. Applications include IEEE 802.11b, 802.11g and 802.11n wireless LAN systems.

Rugged and Weatherproof

This antenna features a heavy-duty UV protected epoxy-fiberglass radome for all-weather operation. The included mounting system adjusts from 0 to 26 degrees down-tilt.

Ideal for Wireless ISP "Cell" Sites

This WiFi antenna is an ideal choice for Wireless ISP "cell" sites since the cell size can be easily determined by adjusting the down-tilt angle. Horizontal coverage is a full 180 degrees.





Specifications

Electrical Specifications

Frequency	2400-2500 MHz
Gain	15 dBi
Horizontal Beam Width	180 degrees
Vertical Beam Width	+/- 10 degrees
Impedance	50 Ohm
Max. Input Power	300 Watts
VSWR	< 1.5:1 avg.
Connector	N Female
Lightning Protection	DC Short

Mechanical Specifications

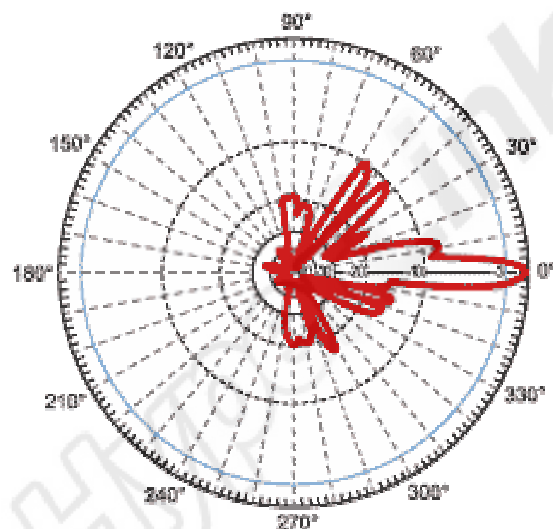
Weight	10 lbs. (4.54 Kg)
Dimensions	41 x 8.5 x 6.5 inches (104 x 21.6 x 16.5 cm)
Radome Material	UV Epoxy Fiberglass
Reflector Material	Aluminum
Mounting	2 inch (5 cm) O.D. pipe max.
Operating Temperature	-40° C to to 85° C (-40° F to 185° F)
Polarization	Vertical
Down-tilt (mech)	0 to 26 degrees (adjustable)

Wind Loading Data

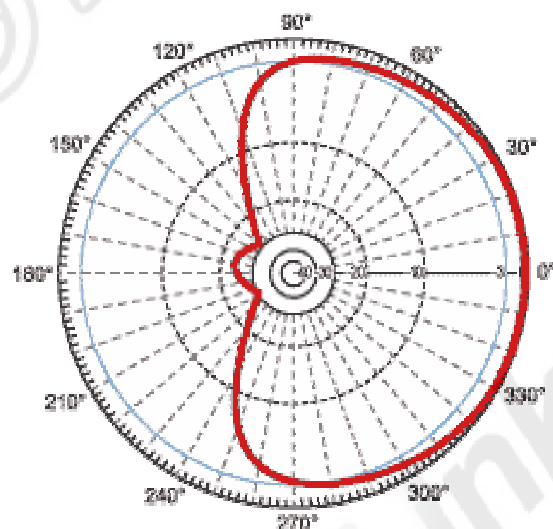
Wind Loading	Front Surface	Side Surface
Area	2.13 sq. ft. (.19 sq. meters)	1.00 (.09 sq. meters)
@ 100 MPH (161 KPH)	69 lbs. (31.3 Kg)	40 lbs.(18.1 Kg)

Guaranteed Quality

This product is backed by Hyperlink's Limited Warranty



Vertical



Horizontal