

ALLNET

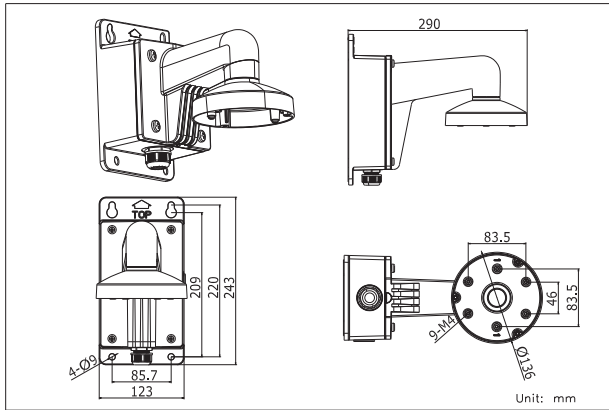
ALL-CAM2395-LVEF_Wall_Mount_Ju

Wall Mounting Bracket for Dome Camera (with Junction Box)

- Aluminum alloy material with surface spray treatment
- Design of cable entrance hole
- Better water proof design
- Junction box with waterproof stopper

Art. Nr. 124889

Dimension



Order Model

ALL-CAM2395-LVEF_Wall_Mount_Ju

Parameter

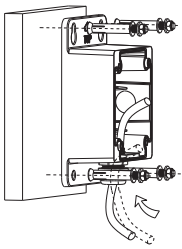
Model	ALL-CAM2395-LVEF_Wall_Mount_Ju
Parameters	Wall Mounting Bracket for Dome Camera (with Junction Box)
Appearance	White
Range of Application	Suitable for dome camera wall mounting
Material	Aluminum Alloy
Dimension	Φ136×243×290mm
Weight	1490g

Notice

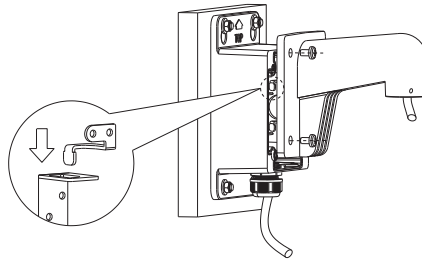
- The bracket should be installed on flat wall
- The wall must be capable of supporting over 3 times as much as the total weight of the camera and the mount.
- The maximum load capacity of the bracket is 4.5KG

Installation Step

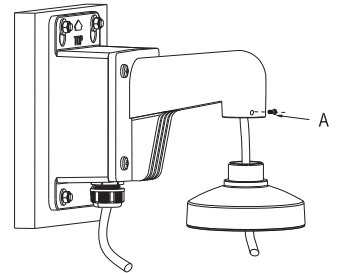
- ① Choose appropriate wall to install the bracket and thread the cable through waterproof stopper



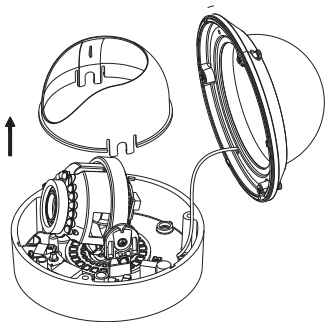
- ② Fix bracket to junction box thread the cable and screw up



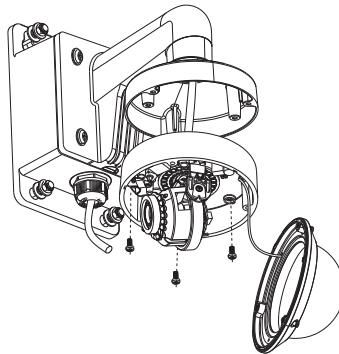
- ③ Fix adaptor cap to bracket with tightening screw



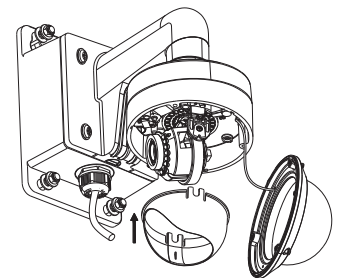
- ④ Take off lower dome and lining



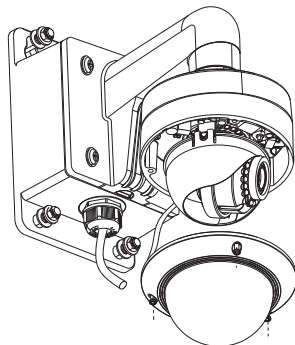
- ⑤ Install dome camera to adaptor cap and fix with screw



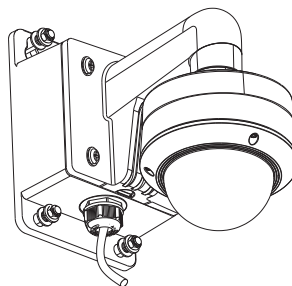
- ⑥ Install lining to dome camera and adjust the angle of view



- ⑦ Install lower dome to dome camera and screw up



- ⑧ Installation complete



Note: The actual bracket may vary from the picture above.