



ALLNET

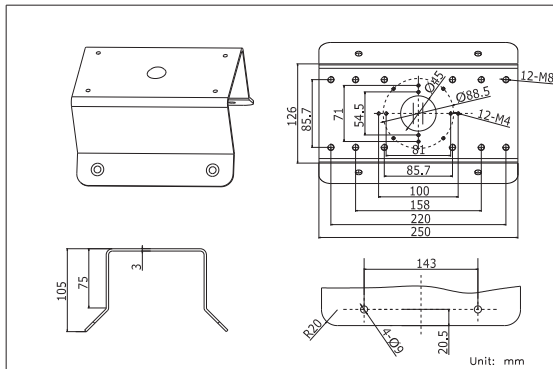
ALL-CAM2388-LVE-CornerMount

Corner Mount Bracket

- For corner mounting
- Aluminum alloy is used for mounting plate
- Add the field view angle of camera

Art. Nr. 123690

Dimension



Order Model

ALL-CAM2388-LVE-CornerMount

Parameter

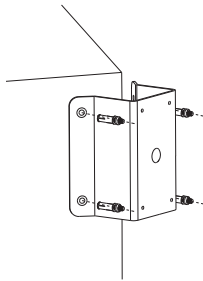
Model	ALL-CAM2388-LVE-CornerMount
Parameters	Corner Mount Bracket
Appearance	White
Range of Application	Adopted with some wall mount bracket
Material	Aluminum Alloy
Dimension	126x105x250mm
Weight	1950g

Notice

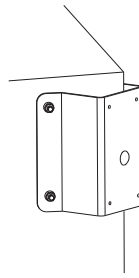
- The site of screw hole should be noticed when using with wall mount bracket
- The bracket should be installed on flat wall
- Load capacity of pole should be more than 3 times the weight of camera and bracket
- Load capacity of clamp is 10KG

Installation steps:

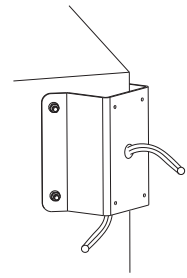
① Choose appropriate wall and install the bracket with expansion bolt



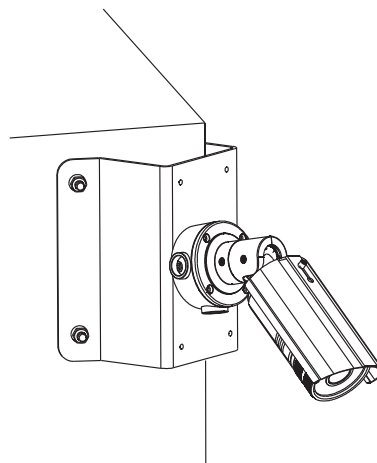
② Screw up and fix the bracket firmly



③ Complete the bracket installation and wiring for camera adoption



The bracket can be used with some wall mounting bracket, which is as followed:



Note: The actual bracket may vary from the picture above.