

## banana pi zbh. LCD1602 Display Module

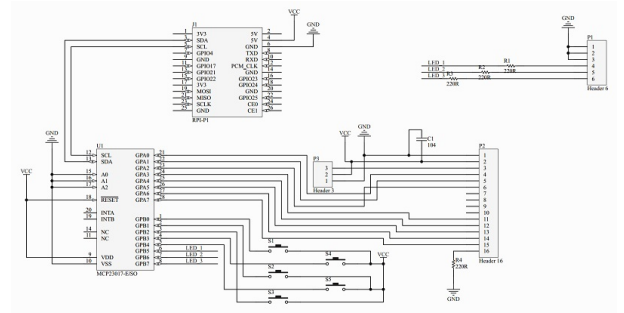
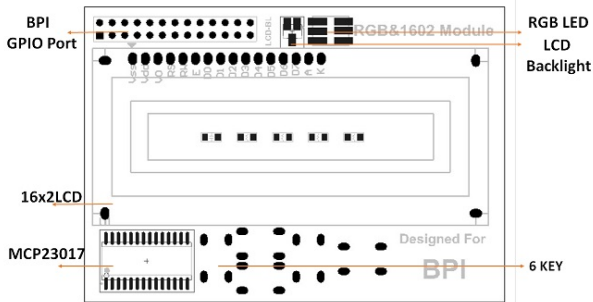


### EAN CODE



1602 LCD screen, RGB LED on board, 6 programmable single key, Communicate with I2C, Can be controlled by the program backlit lights out

Banana Pi connection port, Working voltage: 5.0V, ASC II string can be sidplay, 4 wire to drive the 1602 LCD screen, Use MCP23017 to expand IO



## Zubehör

Art.-Nr.	Name
111802	/Banana Pi Board BPI-M1