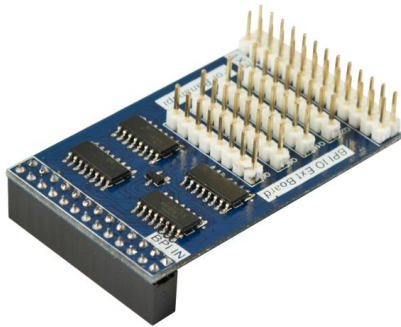


banana pi zbh. IO extend board



EAN CODE



This module is designed specifically for the Banana Pi IO expansion modules, which can effectively solve the banana send IO port insufficient. Module uses four 74HC595 chips to expand 32 IO ports. As shown above, the top of the module will expand the IO of Banana Pi again that can be cascaded for more IO expansion modules can theoretically unlimited expansion.

Product Features:

- Expanded 32 GPIO
- Infinity connection for the same module
- Use wiringPi API ,sample code

Port:

- Banana Pi 2X13 port
- Banana Pi 2X13 cascade port
- Q0-Q31 expanded IO port

Product Parameters:

- Working voltage: 2.4V-5V
- IO voltage: 3.3V
- Expanded 32 unidirectional IO
- Connection through SPI
- 100 MHz (typical) shift out frequency
- 8-bit serial input
- 8-bit serial or parallel output
- Specified from -40C to +85C and from -40C to +125C

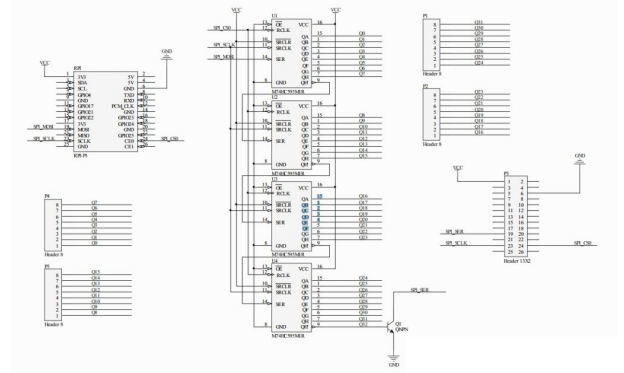
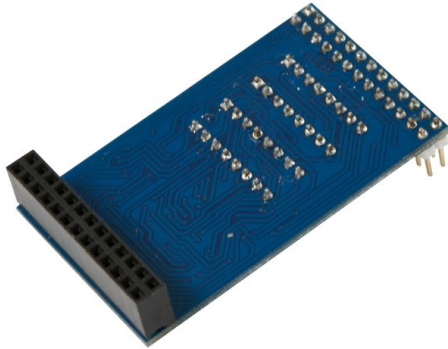


Art.-Nr.: 113491
Herst.-Nr.: BananaPi_IO_Board

Typical Application:

- Drive the lattice screen
- Driver numeric display
- Drive matrix LED

More Details & Programming Code open/use the Datasheet.



Zubehör

Art.-Nr.	Name
111802	/Banana Pi Board BPi-M1