

ALLNET

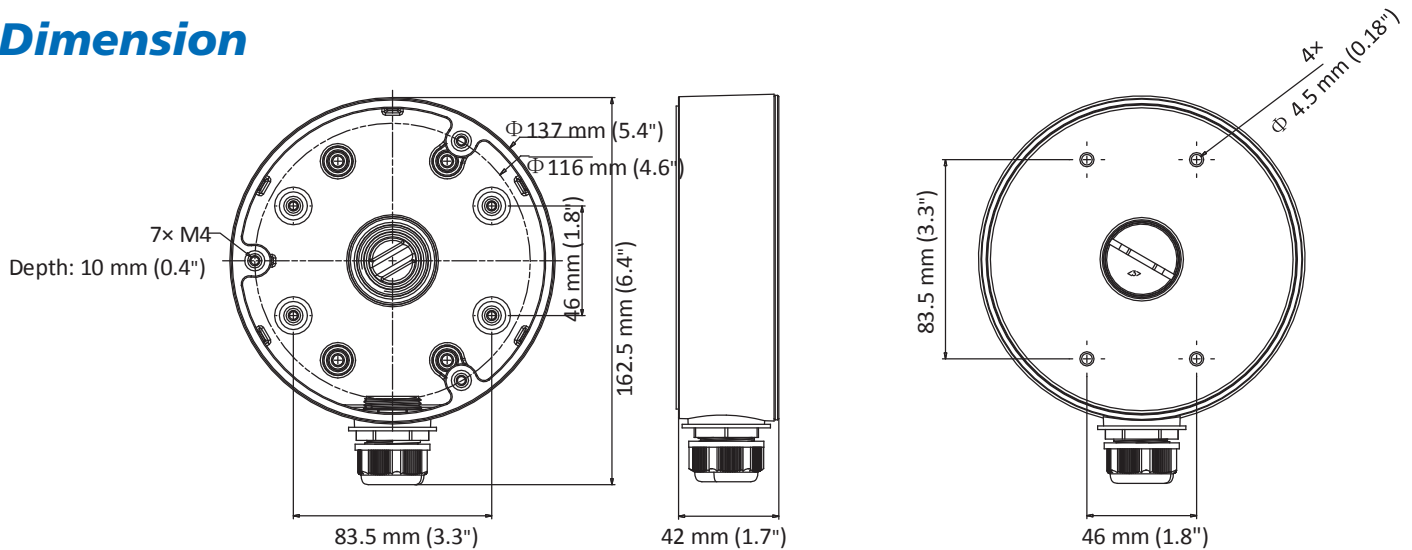
ALL-CAM2395-LVEF_Junction_Box

Junction Box for Dome Camera

- Aluminum alloy material with surface spray treatment
- Side inlet and bottom inlet
- The bottom waterproof cover and the side gland nut are interchangeable
- Waterproof design

Art. Nr. 124893

Dimension



Order Model

ALL-CAM2395-LVEF_Junction_Box

Parameter

Model	ALL-CAM2395-LVEF_Junction_Box
Parameters	Wall Mounting Bracket for Dome Camera
Appearance	White
Material	Aluminum Alloy
Dimension	$\Phi 137$ mm \times 42 mm (5.4" \times 1.7")
Weight	280 g (0.62 lb.)

Notice

- The Junction box should be installed on the flat surface.
- Waterproof rubber is necessary for outdoor application.
- The wall must be capable of supporting at least 3 times as much as the total weight of the camera and the mounting bracket.
- The maximum load capacity of the bracket is 4.5KG (9.9 lb.).