



# ALLNET ALL4750-DDMI

GBIC-Mini, SFP, 1000,LX/LC, kompatibel für Cisco

## Product Specification

**1.25Gbps SFP Optical Transceiver, 550m, DDM**

### 1. Feature:

- SFP package with LC connector
- 850nm VCSEL Laser and PIN photodetector
- Up to 550m transmission on 50/125 um MMF
- +3.3V single power supply
- LVPECL compatible data input/output interface
- Low EMI and excellent ESD protection
- laser safety standard IEC-60825 compliant
- Compatible with RoHS
- Digital Diagnostic SFF-8472 compliant



### 2. Application:

- Ethernet
- Telecom
- Fiber Channel

ALLNET GmbH Computersysteme, Maistr.2, 82110 Germering

[www.allnet.de](http://www.allnet.de), [sales@allnet.de](mailto:sales@allnet.de), Tel. +49 89 894 222 22, Fax: +49 89894 222 33



## ALLNET ALL4750-DDMI

GBIC-Mini, SFP, 1000,LX/LC, kompatibel für Cisco

### 3. Absolute Maximum Ratings:

Parameter	Symbol	Minimum	Maximum	Units
Storage Temperature	Tst	-40	+85	°C
Supply Voltage	Vcc	0	+3.6	V
Operating Relative Humidity	RH	5	95	%

### 4. Operation Environment:

Parameter	Symbol	Min	Typical	Max	Units
Supply Voltage	Vcc	3.15		3.45	V
Operating Case Temperature	Commercial	0		+70	°C
	Industrial	-40		+85	
Power Dissipation				1	W
Data Rate			1.25		Gbps

### 5. Optical Characteristics:

(Ambient Operating Temperature 0°C to +70°C, Vcc =3.3 V)

Parameter	Symbol	Min.	Typ.	Max.	Units
<b>Transmitter Section</b>					
Center Wavelength	$\lambda_0$	840	850	860	nm
Spectral Width(RMS)	$\Delta\lambda$	-	-	0.85	nm
Average Output Power	Po	-8	-	-3	dBm
Extinction Ratio	Er	10	-	15	dB
Rise/Fall Time(20%~80%)	Tr/Tf			0.26	ns

ALLNET GmbH Computersysteme, Maistr.2, 82110 Germering

[www.allnet.de](http://www.allnet.de), [sales@allnet.de](mailto:sales@allnet.de), Tel. +49 89 894 222 22, Fax: +49 89894 222 33



# ALLNET ALL4750-DDMI

GBIC-Mini, SFP, 1000,LX/LC, kompatibel für Cisco

Total jitter	T <sub>j</sub>			0.43	UI
Optical Eye Diagram	IEEE 802.3z and ANSI Fibre Channel Compatible				
<b>Receiver Section</b>					
Center Wavelength	$\lambda_o$	770	850	860	nm
Receiver Sensitivity	R <sub>sen</sub>			-19	dBm
Receiver Overload	R <sub>ov</sub>	-3			dBm
Return Loss		12			dB
LOS Assert	LOS <sub>A</sub>	-32			dBm
LOS Dessert	LOS <sub>D</sub>			-19	dBm
LOS Hysteresis		0.5		5	

## 6. Electrical Characteristics

(Ambient Operating Temperature 0°C to +70°C, V<sub>cc</sub> =3.3 V)

Parameter	Symbol	Min.	Typ.	Max.	unit
<b>Transmitter Section</b>					
Input Differential Impedence	Z <sub>in</sub>	90	100	110	Ohm
Data Input Swing Differential	V <sub>in</sub>	500		2400	mV
TX Disable	Disable		2.0	V <sub>cc</sub>	V
	Enable		0	0.8	V
TX Fault	Assert		2.0	V <sub>cc</sub>	V
	Deassert		0	0.8	V
<b>Receiver Section</b>					
Output differential impedance	Z <sub>out</sub>		100		Ohm
Data Input Swing Differential	V <sub>out</sub>	370		2000	mV
Rx_LOS	Assert		2.0	V <sub>cc</sub>	V
	Deassert		0	0.8	V



# ALLNET ALL4750-DDMI

GBIC-Mini, SFP, 1000,LX/LC, kompatibel für Cisco

## 7. EEPROM INFORMATION (A0) :

Addr	Field Size (Bytes)	Name of Field	HEX	Description
0	1	Identifier	03	SFP
1	1	Ext. Identifier	04	MOD4
2	1	Connector	07	LC
3-10	8	Transceiver	00 00 00 02 12 00 0D 01	Transmitter Code
11	1	Encoding	01	8B10B
12	1	BR, nominal	0D	1250M bps
13	1	Reserved	00	
14	1	Length (9um)-km	37	550m
15	1	Length (9um)	00	
16	1	Length (50um)	37	550m
17	1	Length (62.5um)	1B	270m
18	1	Length (copper)	00	
19	1	Reserved	00	
20-35	16	Vendor name	57 49 4E 54 4F 50 20 20 20 20 20 20 20 20 20 20	WINTOP
36	1	Reserved	00	
37-39	3	Vendor OUI	00 00 00	
40-55	16	Vendor PN	xx xx xx xx xx xx xx xx xx xx xx xx xx xx xx xx	ASC II
56-59	4	Vendor rev	31 2E 30 20	V1.0
60-61	2	Wavelength	03 52	850nm
62	1	Reserved	00	
63	1	CC BASE	XX	Check sum of byte 0~62
64-65	2	Options	00 1A	LOS, TX_DISABLE, TX_FAULT
66	1	BR, max	32	50%
67	1	BR, min	32	50%
68-83	16	Vendor SN	00 00 00 00 00 00 00 00 00 00 00 00 00 00 00 00	Unspecified

ALLNET GmbH Computersysteme, Maistr.2, 82110 Germering

[www.allnet.de](http://www.allnet.de), [sales@allnet.de](mailto:sales@allnet.de), Tel. +49 89 894 222 22, Fax: +49 89894 222 33



# ALLNET ALL4750-DDMI

GBIC-Mini, SFP, 1000,LX/LC, kompatibel für Cisco

84-91	8	Vendor code	date XX XX XX 20	Year, Month, Day
92-94	3	Reserved	00	
95	1	CC_EXT	XX	Check sum of byte 64~94
96-255	160	Vendor specific		

## 8. Diagnostics:

Parameter		Range	Accuracy	Unit	Calibration
Temperature	C	-5 ~ 70	±3	°C	Internal
	I	-40 ~ 80	±3		
Voltage		0 ~ VCC	0.1	V	Internal
Bias Current		0 ~ 120	±2	mA	Internal
Tx Power		-8 ~ -3	±1	dBm	Internal
Rx Power		<-3	±1	dBm	Internal



# ALLNET ALL4750-DDMI

GBIC-Mini, SFP, 1000,LX/LC, kompatibel für Cisco

## 9. Pin Description:

Pins	Name	Discription	NOTE
1	VeeT	Transmitter Ground	
2	Tx Fault	Transmitter Fault Indication	1
3	Tx Disable	Transmitter Disable	2
4	MOD DEF2	Module Definition 2	3
5	MOD DEF1	Module Definition 1	3
6	MOD DEF0	Module Definition 0	3
7	Rate Select	Not Connected	
8	LOS	Loss of Signal	4
9	VeeR	Receiver Ground	
10	VeeR	Receiver Ground	
11	VeeR	Receiver Ground	
12	RD-	Inv. Received Data Output	5
13	RD+	IReceived Data Output	5
14	VeeR	Receiver Ground	
15	VccR	Receiver Power	
16	VccT	Transmitter Power	
17	VeeT	Transmitter Ground	
18	TD+	Transmit Data Input	6
19	TD-	Inv. Transmit Data Input	6
20	VeeT	Transmitter Ground	

Notes:

1. TX Fault is an open collector output, which should be pulled up with a 4.7k~10k $\Omega$  resistor on the host board to a voltage between 2.0V and Vcc+0.3V. Logic 0 indicates normal operation; logic 1 indicates a laser fault of some kind. In the low state, the output will be pulled to less than 0.8V.
2. TX Disable is an input that is used to shut down the transmitter optical output. It is pulled up within the module with a 4.7k~10k $\Omega$  resistor. Its states are:  
Low (0~0.8V): Transmitter on  
(>0.8V, <2.0V): Undefined  
High (2.0~3.465V): Transmitter Disabled

ALLNET GmbH Computersysteme, Maistr.2, 82110 Germering

[www.allnet.de](http://www.allnet.de), [sales@allnet.de](mailto:sales@allnet.de), Tel. +49 89 894 222 22, Fax: +49 89894 222 33



## **ALLNET ALL4750-DDMI**

### **GBIC-Mini, SFP, 1000,LX/LC, kompatibel für Cisco**

Open: Transmitter Disabled

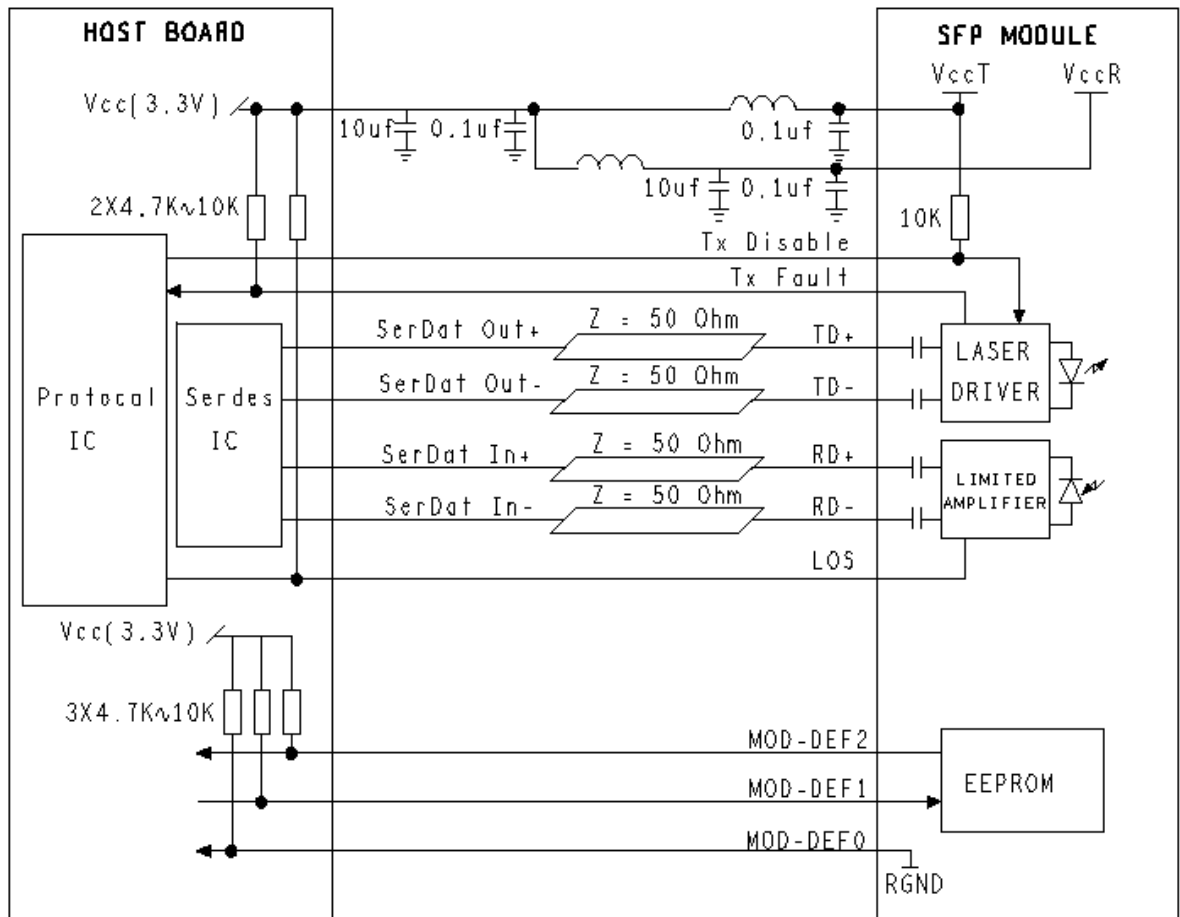
3. MOD-DEF 0,1,2 are the module definition pins. They should be pulled up with a 4.7k~10k $\Omega$  resistor on the host board. The pull-up voltage shall be VccT or VccR.  
MOD-DEF 0 is grounded by the module to indicate that the module is present  
MOD-DEF 1 is the clock line of two wire serial interface for serial ID  
MOD-DEF 2 is the data line of two wire serial interface for serial ID
4. LOS is an open collector output, which should be pulled up with a 4.7k~10k $\Omega$  resistor on the host board to a voltage between 2.0V and Vcc+0.3V. Logic 0 indicates normal operation; logic 1 indicates loss of signal. In the low state, the output will be pulled to less than 0.8V.
5. These are the differential receiver output. They are internally AC-coupled 100 $\Omega$  differential lines which should be terminated with 100 $\Omega$  (differential) at the user SERDES.
6. These are the differential transmitter inputs. They are AC-coupled, differential lines with 100 $\Omega$  differential termination inside the module.



# ALLNET ALL4750-DDMI

GBIC-Mini, SFP, 1000,LX/LC, kompatibel für Cisco

## 10. Recommended Application Circuit:







# ALLNET ALL4750-DDMI

GBIC-Mini, SFP, 1000,LX/LC, kompatibel für Cisco

## 11. Outline drawing (mm):

